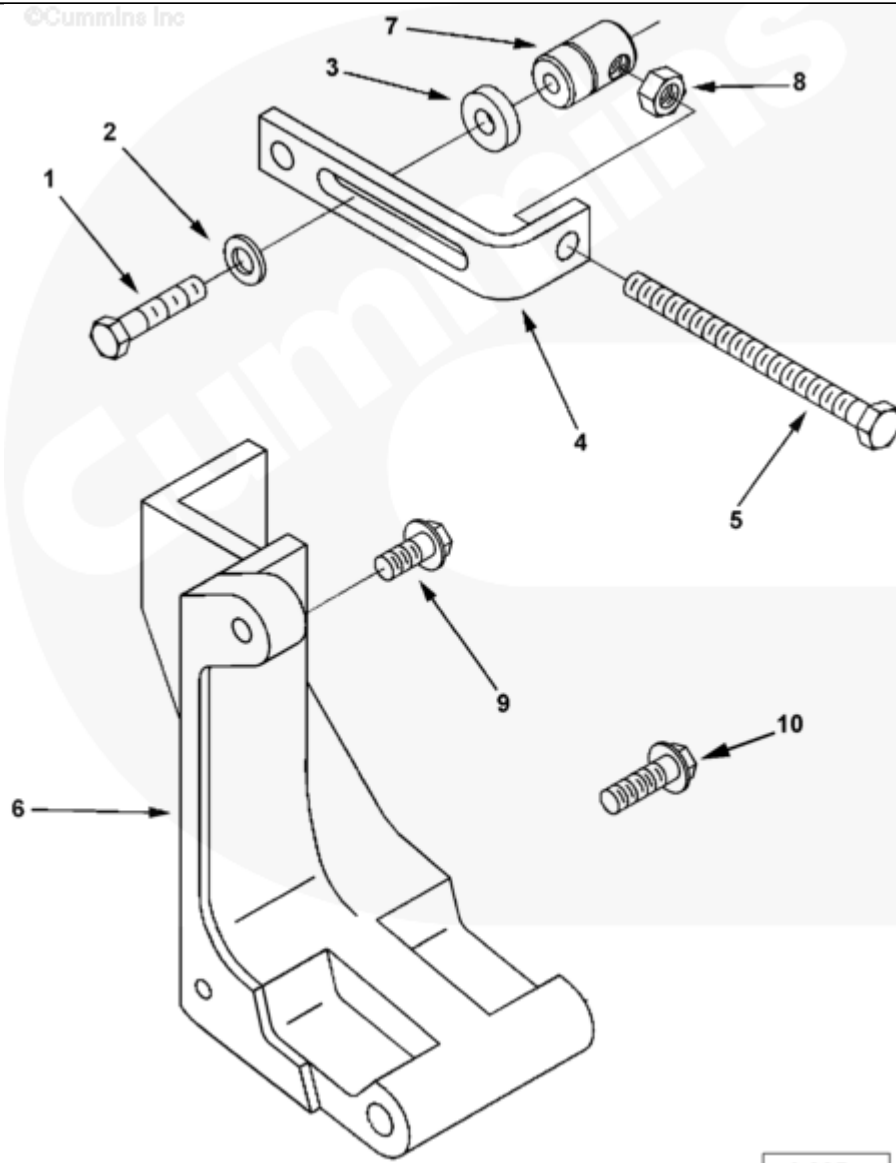




Parts Catalog - Option Detail

Electronic Parts Catalog - Option Detail				
Option	Group	Graphic	Film Card	Date
EH2137-06	13.02.3	eh205gn	II	29-JUL-03
Engines	ISM CM570, ISM CM570/870, ISM CM875, ISM CM876, ISM CM876 E, ISM11 CM876 M103, ISM11 CM876 SN, M11 CELECT, M11 CELECT PLUS, M11 MECHANICAL, QSM11 CM570, QSM11 CM876			



eh205gn

[SMALL](#) | [MEDIUM](#) | [LARGE](#)

Cart	Ref No	Part Number	Part Description	Required	Remarks
<input type="button" value="View My Cart"/>					
		EH2137-06	Alternator Mounting		

					Alternator Mounting
					Alternator Quantity: One
					Manuf: Delco Remy or Leece
					Neville
					Belt Tensioner: Manual
					Mtg Location: Left Side
					Alt Pulley Groove: Poly V
					5 Rib "K"
					Acc Drive Pulley Dia: 185.00m
					(7.28")
					Alt Pulley Dia: 61.13mm
					(2.41")
					Bracket Attachment Method:
					Spool
					Horiz Attachment Point: 391mm
					(15.39")
					Vertical Attachment Point:
					280mm (11.02")
					Reference Point From FFOB:
					84mm (3.31")
					Alternator Pulley Supplied:
					Cummins
					Alt Drive Belt Supplied:
					Cummins
					Effective Belt Length:
					876.3mm (34.5")
					Alternator Mtg Brkt Supplied:
					On Engine
					Adjusting Link Supplied: On

					Engine
					Alternator Drive Speed:
					3.026
					EH Alt Pulley Structure
					Logic: In EH Dependent
					Option
<input type="checkbox"/>	1	S 120	Hexagon Head Cap Screw	1	3/8 - 16 X 1 3/4 in.
<input type="checkbox"/>	2	108330	Plain Washer	1	3/8 in.
<input type="checkbox"/>	3	3029507	Mounting Spacer	1	
<input type="checkbox"/>	4	3255840	Adjusting Link	1	
<input type="checkbox"/>	5	3255842	Hexagon Head Cap Screw	1	
<input type="checkbox"/>	6	3349637	Alternator Bracket	1	
<input type="checkbox"/>	7	3820876	Adjusting Screw Retainer	1	
<input type="checkbox"/>	8	3895300	Regular Hexagon Nut	1	
<input type="checkbox"/>	9	3902460	Hexagon Flange Head Cap Screw	4	M10 X 1.50 X 25.
<input type="checkbox"/>	10	3892692	Captive Washer Cap Screw	1	